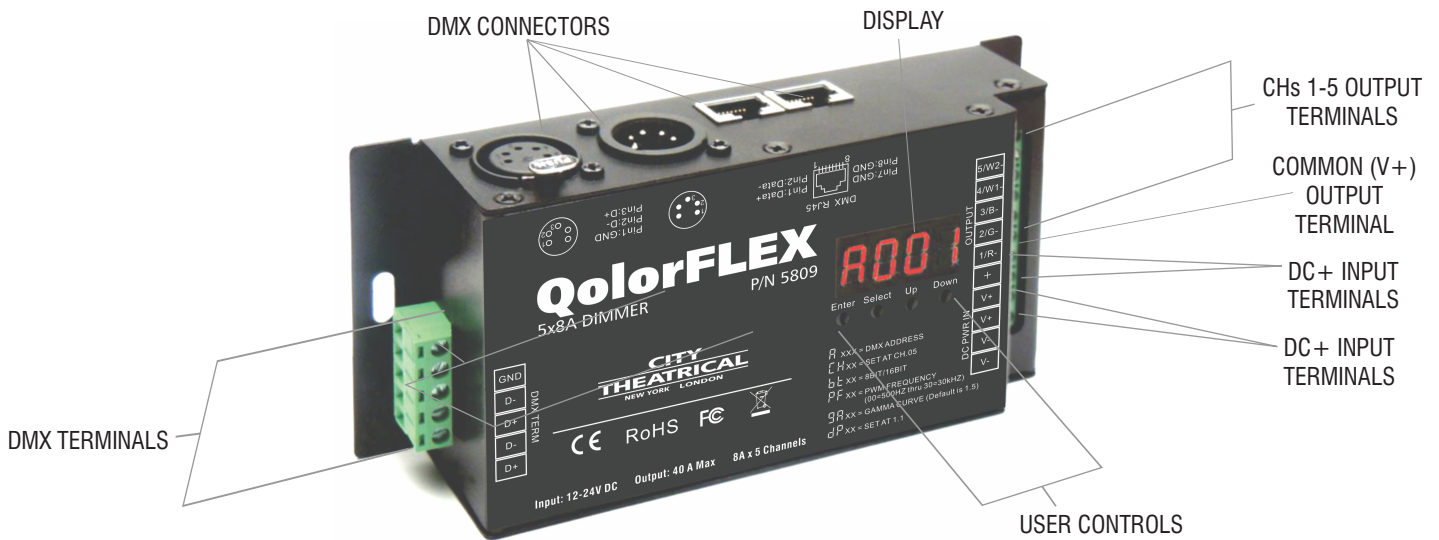


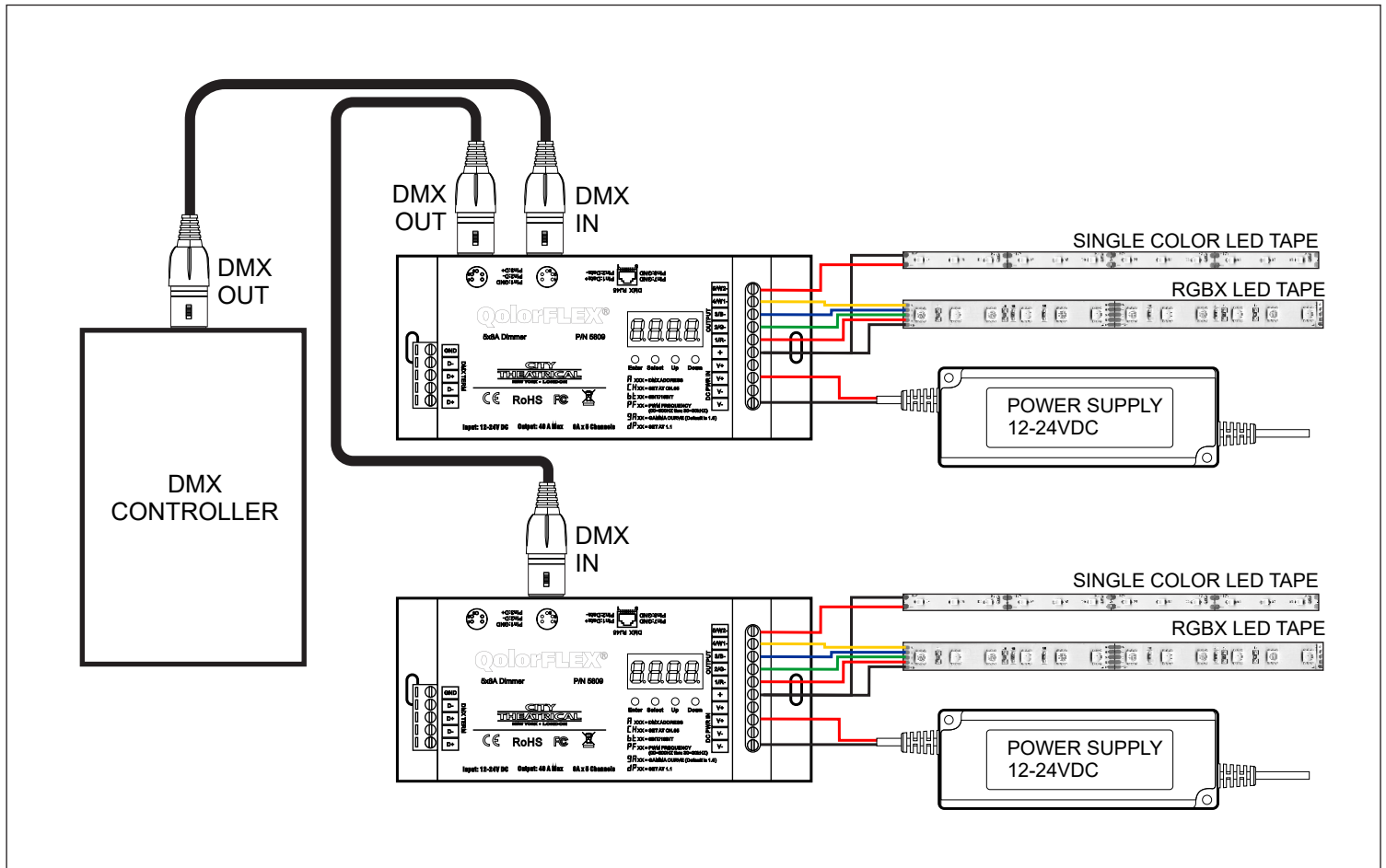
QolorFLEX 5x8A Dimmers are designed to operate perfectly with City Theatrical's QolorFLEX LED tape for professional use on Broadway, television and film, and architectural lighting installations. The QolorFLEX 5x8A Dimmer can control a full 40A of LED tape spread 8A each. This allows the control of unique combinations of LED tape, such as QolorFLEX 5-in-1 LED Tape (five channels), RGBX tape (four channels), RGB tape (three channels), bi-color tape (two channels), and/or a single color tape (one channel) together in one unit. QolorFLEX 5X8A Dimmers use constant voltage technology to ensure consistent full range dimming, which is especially important at low end light levels. The dimmer also includes easy-to-read onboard display and four-button user interface allows selection and control of six functions.



Features:

CTI Part #:	5809
Maximum Current per device:	40A
Maximum load per output channel:	8A
User Interface:	4 button, plus alpha/numeric display
Output channels:	User selectable of one to five
Resolution:	User selectable- 8 bit or 16 bit
PWM Frequencies:	User selectable- 500Hz to 30KHz
Dimming Curves:	User selectable- 99
DMX Connections:	5-Pin XLR, RJ45, Screw Terminals
RDM capable:	Yes
Construction:	NEMA 1 IP 20 steel enclosure
Compliance:	CE, RoHS, FCC
Physical:	
Weight	0.85lbs (0.39 kg)
Dimensions	2.88"(73mm) W x 6.5" (165mm) L x 1.5"(38mm) H

WIRING SCHEMATIC



DIMENSIONS

